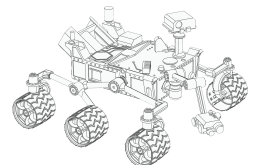


# Curiosity Rover

## 3D Printed Model (small version)



# Parts List:

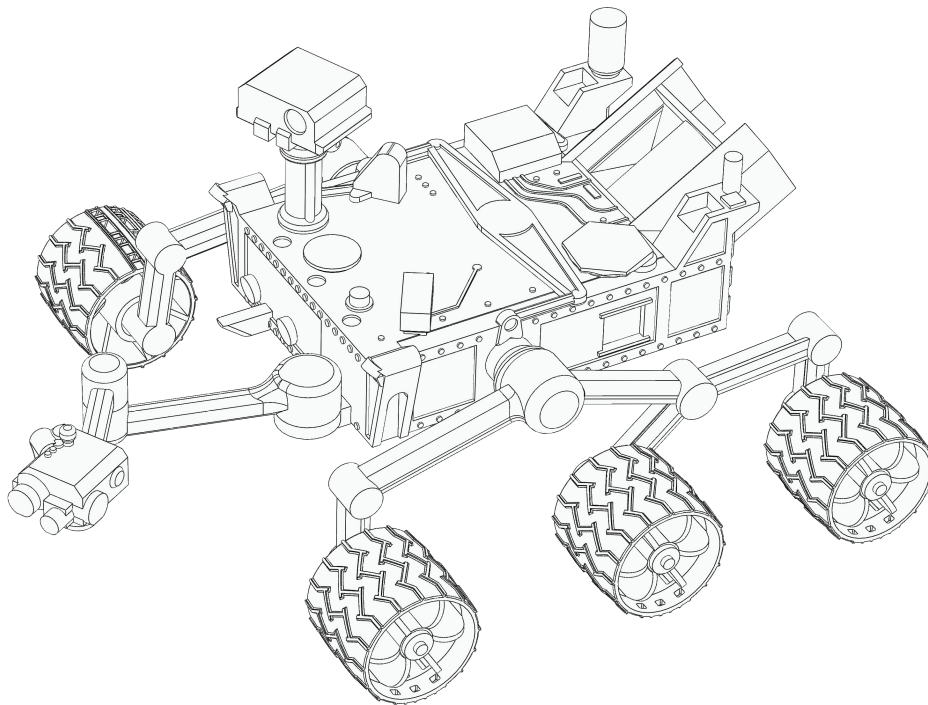
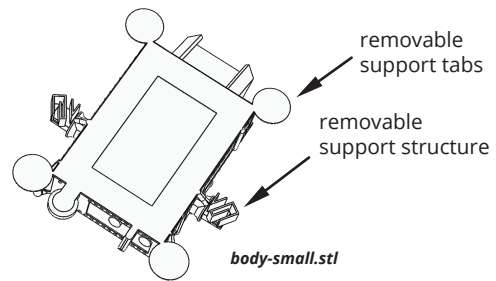
---

FILE NAME:	QTY NEEDED:
body-small.stl	1
wheel-small.stl	6
legs-left.stl	1
legs-right.stl	1
upper-robotic-arm.stl	1
lower-robotic-arm.stl	1
mahli-apxs-small.stl	1
chemcam_small.stl	1

This project is designed for printing on a FFF (FDM) desktop 3D printer. The estimated printing time is 2.5 hours.

The largest component is the body, which requires a print bed of 3 x 2.5 inches wide. All components can be tiled together and printed on one build plate 8 x 6 inches wide.

*The roved body has tabs and support structure to secure the part during printing. These tabs should be torn away before assembling the model.*



# Assembly:

---

